



- Intelligent Power Factor Controller - Suitable for Power Factor Correction using Thyristor Modules for Real Time Compensation
- Independent Power Factor Correction for every single phase
- 8 Steps, expandable up to 24 steps
- Master-Slave Function
- Compact design for convenient installation
- 8 User Programmable Alarms
- Expandability with expansion modules like USB, Ethernet, RS-485 and GSM/GPRS modem and more
- Graphic Display, 128x80 pixel
- Red LED for alarm notification
- Front optical port

Product Detail

Series	ACTIVECOMP
Model	Activecomp Controller
Type	Automatic Power Factor Controller

Technical Specifications

Auxiliary supply

Rated Auxiliary supply voltage U_s	AC	min	100V AC
		max	415V AC
	DC	min	110V DC
		max	250V DC
Auxiliary operating range			90...484V AC / 93.5...300V DC
Auxiliary rated frequency			50/60 Hz $\pm 10\%$
Power consumption		max	27 VA (with 4 expansion modules)
Power dissipation		max	10.5 W (with 4 expansion modules)
			5.5 W (with no expansion modules)
Immunity time for microbreakings			≥ 35 ms (110V AC);
			≥ 80 ms (220...415V AC)

Voltage inputs

Rated Voltage (U_e)	phase-phase	600V AC (rated max.)
Operating Voltage range	phase-phase	50...720V AC
	phase-neutral	415V AC
Frequency range	min	45.....65 Hz
	max	360.....440 Hz
Type of Measure		True RMS value
No-voltage release		≥ 8 ms
Measurement input impedance	phase-phase	> 1.10 M Ω
	phase-neutral	> 0.55 M Ω

Technical Specifications

Type of connection	Single phase, two phase, three phase with or without neutral or balanced three phase system
Current Inputs	
Number of Current input	3 Nr
Type of Input	Shunt supplied by external current transformer (low voltage), Max 5A
Measurement range	0.025...6A ~ for 5A scale; 0.025...1.2A ~ for 1A scale
Measurement method	True RMS value
Constant overload	1.2 Ie
Overload peak	50A for 1s
Burden per phase	<0.6 VA
Measurement Data	
Type of voltage and current measurement	True RMS value
Power Factor adjustment	0.5 ind...0.5 cap.
Type of temperature sensor	Internal + PT100 with expansion module + NTC with expansion module
Temperature measurement range	0...+212°C
Alarms	
Number of Alarms	8
Type of Alarms	User programmable
Communication	
Communication Port	RS-485 (with expansion module)
Communication Protocol	Modbus-RTU, ASCII and TCP
Relay outputs	
Number of relay output	8 N ^o (up to 18 with expansion module)
Contact arrangement	7 NO-SPST + 1 C/O-SPDT
Rated Current	5A 250V AC1
Maximum current at common contact terminal	10A
Maximum switching voltage	415V AC
Electrical life (with rated load)	105 cycles
Mechanical life	30 x 10 ⁶ cycles
Static Outputs	
Number of static output	0 (up to 8 with expansion module)
Insulations	
Rated insulation voltage Ui	600 V
Rated impulse withstand voltage Uimp	9.5 kV
Operating frequency withstand voltage	5.2 kV

Technical Specifications

Connections

Type of Terminal	Plug-in, removable		
Conductor Cross section	min	0.2 mm ²	
	max	2.5 mm ²	
	min	24 AWG	
	max	12 AWG	
Tightening torque	max	0.56 Nm	
		5 lbin	

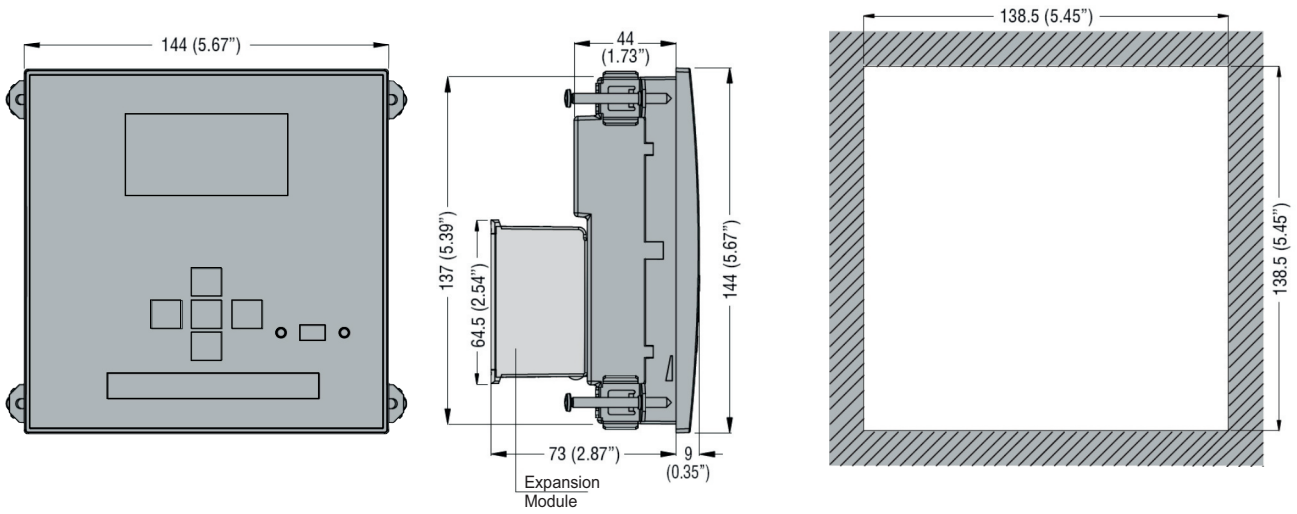
Ambient Temperature

Temperature Operating temperature	min	-20 °C	
	max	+70 °C	
Temperature Storage temperature	min	-30 °C	
	max	+80 °C	
Relative humidity	<80%		
Maximum Pollution degree	2		
Overvoltage category	3		
Measurement category	III		
Shock resistance	15g		
Vibration resistance	0.7g		

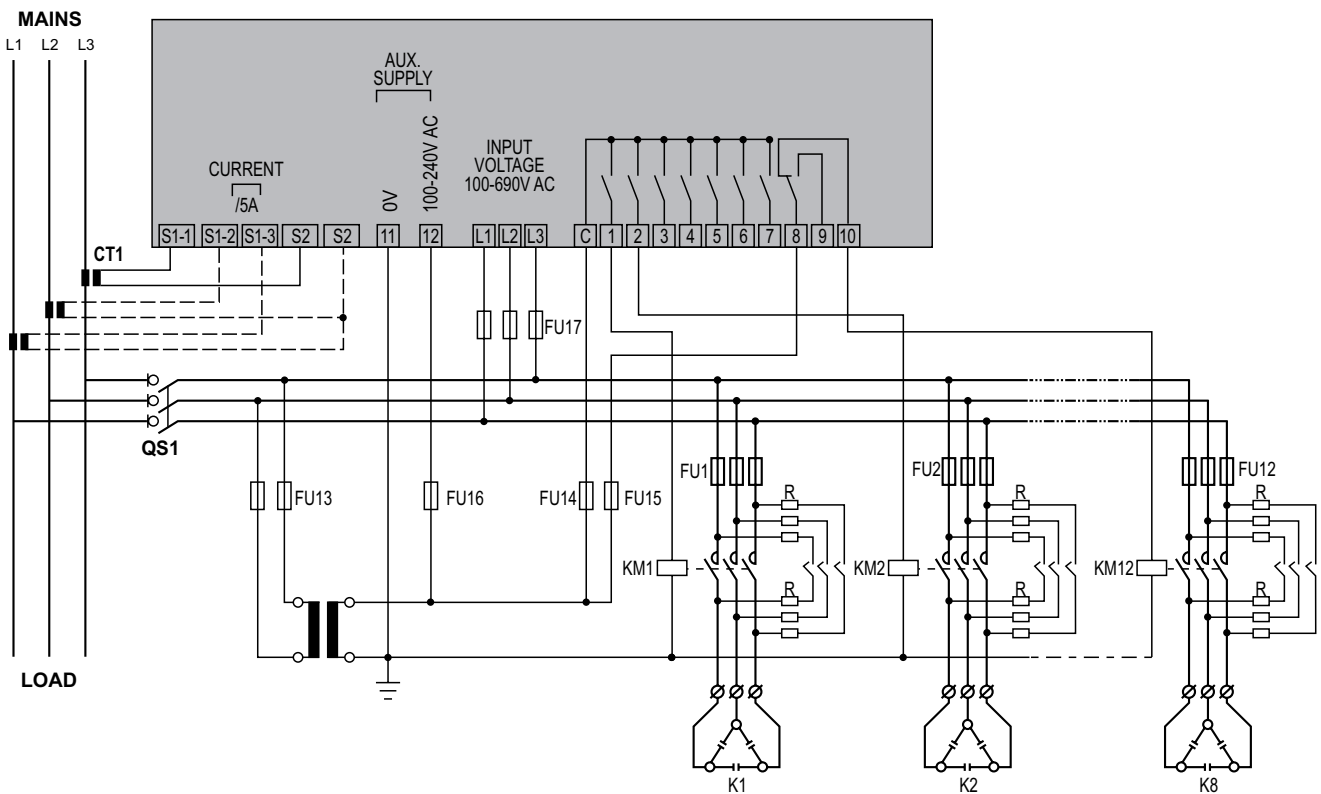
Housing

Execution	Flush mount		
Material	Polycarbonate		
Mounting	Flush-mount		
	144x144mm (5.67" x 5.67")		
Degree of Protection	IP65 on Front, IP20 terminals		
Dimensions (W x H x D)	144mm x 144mm x 53.2mm		
Weight	980 Gram		
Expansion Slot	4		

Dimensions



Wiring Diagram



Specifications and characteristics mentioned in this document are subject to change without notification. The information in this document is purely illustrative, and not contractually binding.

Sold & Serviced in India by :

NAAC ENERGY CONTROLS PVT LIMITED



C-135, Hos. Complex, Phase-II Extn., Noida-201305 (UP) INDIA
 Tel.: 0120-4221631 to 33 Fax: 0120-4221635
 Email : info@naacenergy.com
 Web : www.naacenergy.com