



- Flush-mount LCD Power Analyzer, 96x96 mm
- Touch Screen LCD
- Expandability with expansion modules
- High accuracy measuring of Active Energy with Class 0.5S
- Graphic 128x112 pixel LCD display
- Harmonic Analysis - upto the 63rd order Harmonic
- More than 600 measured electrical parameters
- 4 Current channels, (Neutral Meas.)
- Auxiliary Supply 100-440V AC / 110-250V DC
- RS485 port
- Three Phase + Neutral

Product Detail

Power Analyzer series	G
Model	G900
Type	Energy and Power Analyzer

Technical Specifications

Auxiliary supply Us

Auxiliary rated supply voltage AC	100V...440V AC		
Auxiliary rated supply voltage DC	110V...250V DC		
Auxiliary operating voltage range	AC	min	90V AC
		max	484V AC
Auxiliary operating voltage range	DC	min	93.5V DC
		max	300V DC
Operational frequency		min	45 Hz
		max	66 Hz
Power consumption		max	3.9 VA
Power dissipation		max	3.4 W

VV

Measuring Voltage inputs

Rated Voltage (Ue)	phase-phase	690V AC
	phase-neutral	400V AC
Operating Voltage range	phase-phase	20V...830V AC
	phase-neutral	10V...480V AC
Voltage inputs operational frequency	min	45 Hz and 360 Hz
	max	66 Hz and 440 Hz
Voltage inputs measurement method	True RMS	
Connection method	Single. Two. three-phase with or without neutral. Balanced three-phase system	

Current Inputs

Rated Current (Ie)	1A / 5A
Measurement range	0.002...1.2 / 0.01...10
Measurement method	TRMS
Overload capacity	+20% Ie by external CT with 5A secondary
Overload peak	50A for 1s

Technical Specifications

Accuracy

Measurement conditions (T +23°C ±1 °C / Rel. Humidity 45 ±15% R.H.)	±0.2%	VLN Voltage
	±0.2%	VLL Voltage
	±0.2%	Current
	±0.05%	Frequency
	±0.5% f.s.	Active Power
	Class 0.5s	Active Energy
	Class 2	Reactive Energy

Communication

Communication Port	RS485
Communication Protocol	Modbus-RTU, ASCII and TCP

Insulations

Rated insulation voltage U_i	690V
Rated impulse withstand voltage U_{imp}	9.5 kV
Operating frequency withstand voltage	5.2 kV

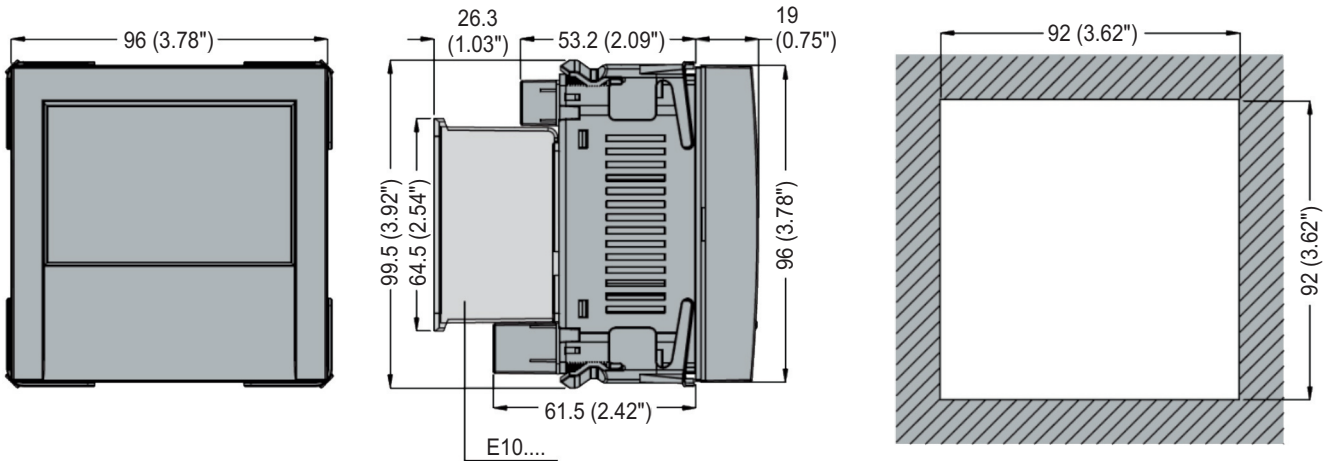
Mechanical features

Housing type	Polyamide	
Terminals type	Removable	
Conductor cross section	min.	0.2 mm ²
	max.	2.5 mm ²
	min.	24 AWG
	max.	12 AWG
Tightening torque (Max)	0.5 Nm	
	4.5 lbin	
Fixing	Flush-mounting, 96x96mm	
Weight	566 gram	
Expansion Slot	3 nos.	

Ambient Conditions

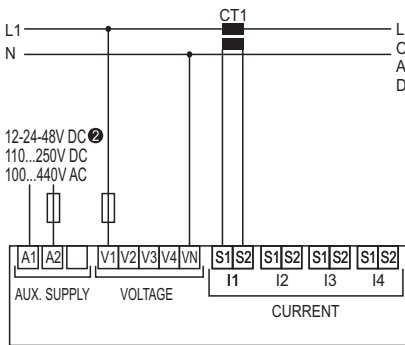
Operating temperature	min	-20°C
	max	+60°C
Storage temperature	min	-30°C
	max	+80°C
Relative humidity	<90 %	
Maximum Pollution degree	2	
Protection degree	IP65	

Dimension

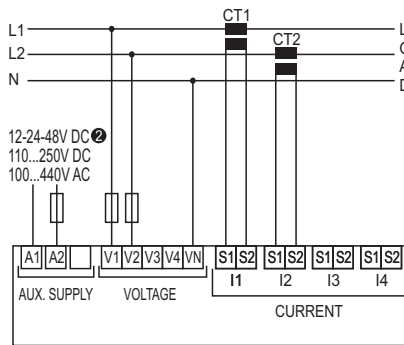


Wiring Diagrams

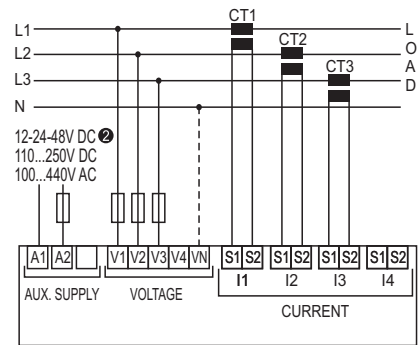
Single-phase



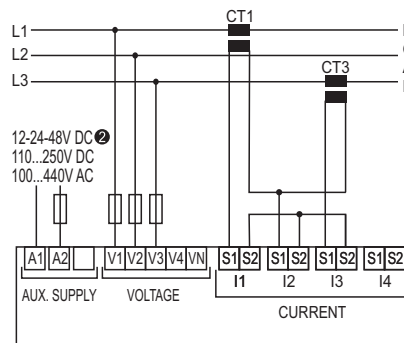
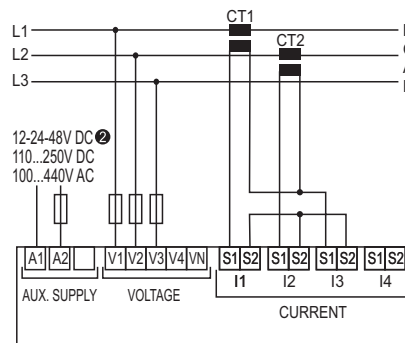
Two-phase



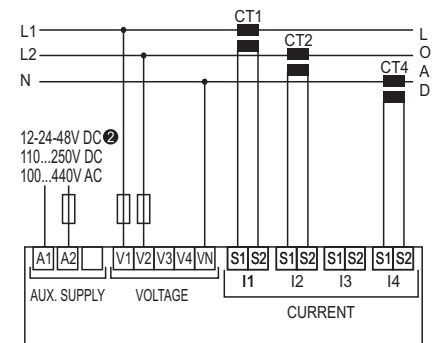
Three-phase with or without neutral



Three-phase without neutral in ARON connection



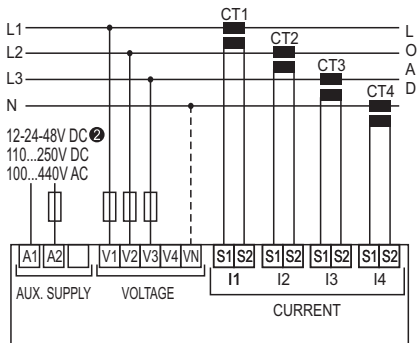
Two-phase with neutral. Measurement of neutral current and neutral-earth voltage



② For G900 ...D0.48 only

Wiring Diagrams

Three-phase with neutral. Measurement of neutral current and neutral-earth voltage



② For G900 ...D0.48 only

Specifications and characteristics mentioned in this document are subject to change without notification. The information in this document is purely illustrative, and not contractually binding.

Sold & Serviced in India by :

NAAC ENERGY CONTROLS PVT LIMITED



C-135, Hos. Complex, Phase-II Extn., Noida-201305 (UP) INDIA
Tel.: 0120-4221631 to 33 Fax: 0120-4221635
Email : info@naacenergy.com
Web : www.naacenergy.com