



- Real Time Dynamic Power Factor Correction
- Integrated CT for motoring and protection of current, power and harmonics in the capacitor banks
- Programmable protection thresholds
- Programmable relay output for alarm signalling or fan control
- Monitoring and diagnostics of the integrated fan
- NFC Enabled for convenient programming of the parameters via smartphone and tablet
- Can be controlled via the serial port using the optional RS-485 port with the combination of the REALCOMP Controller
- Compatible with the mobile app for viewing measurements, events and active alarms and for sending commands and configuring parameters
- Silent operation as the switching of capacitors is managed electronically
- Switching ON at zero-crossing
- Overtemperature protection via integrated probe or an external input probe
- Monitoring and diagnostics of the integrated fan
- Supports vertical and horizontal installation
- 3 status LEDs – POWER, ON and FAULT
- Front optical port for connecting to a PC via USB or Wi-Fi

## Product Detail

Series	REALCOMP
Model	Realcomp Thyristor Switching Module - 60 KVAR at 480V
Type	SCR

## Technical Specifications

### General Characteristics

Rated Voltage	400V..480V	
Operating Voltage Range	340V...528V	
Rated Frequency	50/60 Hz	
Operating Frequency Range	45Hz...65Hz	
Rated Current (Ie)	72A	
Step Power at	400V AC	50 KVAR
	440V AC	55 KVAR
	480V AC	60 KVAR
Peak Inverse Voltage (PIV)	2200V AC	
Number of Controlled Phases	2 N <sup>o</sup>	
Control Circuit	12-24V DC input or free-voltage input or via RS485 serial port (with optional expansion module in combination with Realcomp Controller + expansion module)	

### Auxiliary Supply

Rated Auxiliary Supply Voltage	Min	100V AC
	Max	240V AC
Auxiliary Rated Frequency	50/60 Hz	
Power Consumption	Max	14.1 VA

## Technical Specifications

Power Dissipation	Max	5.8 W
<b>Control Input</b>		
Terminals		CONTROL +/-
Rated Voltage		12V-24V DC
Operating Range		8V...30V DC
<b>Digital Inputs</b>		
Terminals		C-IN1
Applied Voltage at Contact (Internal)		5V DC
Input Current		≤ 10 mA
Low Input Signal		≤ 0.8V DC
High Input Signal		≥ 3.2V DC
Input Signal Delay		≥ 50 ms
<b>NTC Probe Input</b>		
Terminals		NTC-NTC
Sensor Type		NTC
Measuring Range		-25°C...+85°C
Maximum Connection Length		3 mt
<b>Fan Power Supply</b>		
Terminals		Fan +/-
Supply Voltage (Internal)		5V DC (provided by TSM)
Fan Type		2 built-in fans
<b>Communication</b>		
Communication Port		RS485 (by adding the RS485 card)
<b>Relay Outputs</b>		
Number of Relay Output		1 N°
Contact Arrangement		1 C/O- SPDT
Rated Current		NO Contact : AC1 5A 250V AC / 5A 30V DC NC Contact : AC1 3A 250V AC / 3A 30V DC
Maximum Switching Voltage		250V AC
Electrical Life (with rated load)		NO Contact : 10x103 Cycles NC Contact : 20x103 Cycles
Mechanical Life		107 Cycles
<b>Insulations</b>		
Rated insulation voltage Ui		480V
Rated impulse withstand Voltage Uimp		4 kV
<b>Connections - Power Terminals</b>		
Type of Terminal		Fixed - double lock clamp
Conductor Cross Section	Min.	2 x 2.5 mm <sup>2</sup>
	Max	2 x 35 mm <sup>2</sup>
	Min	2 x 18 AWG
	Max	2 x 2 AWG
Tightening Torque	Max	5.5-6.5 Nm
	Max	4.6-4.79 lbft

## Technical Specifications

### Connections - Relay Output

Type of Terminal		Screw
Conductor Cross Section	Min.	0.2 mm <sup>2</sup>
	Max	4 mm <sup>2</sup>
	Min	26 AWG
	Max	10 AWG
Tightening Torque	Max	0.8 Nm
	Max	7 lbin

### Connections - Fan and Digital Input

Type of Terminal		Screw
Conductor Cross Section	Min.	0.2 mm <sup>2</sup>
	Max	2.5 mm <sup>2</sup>
	Min	24 AWG
	Max	12 AWG
Tightening Torque	Max	0.44 Nm
	Max	4 lbin

### Ambient Conditions

Operating Temperature	Min	-20°C
	Max	+45°C without derating (up to 55°C with derating)
Storage Temperature	Min	-30°C
	Max	+80°C
Relative Humidity		<80%
Maximum Pollution Degree		2
Over Voltage Category		III
Maximum Altitude		2000m without derating
Shock Resistance		15g
Vibration Resistance		0.7g

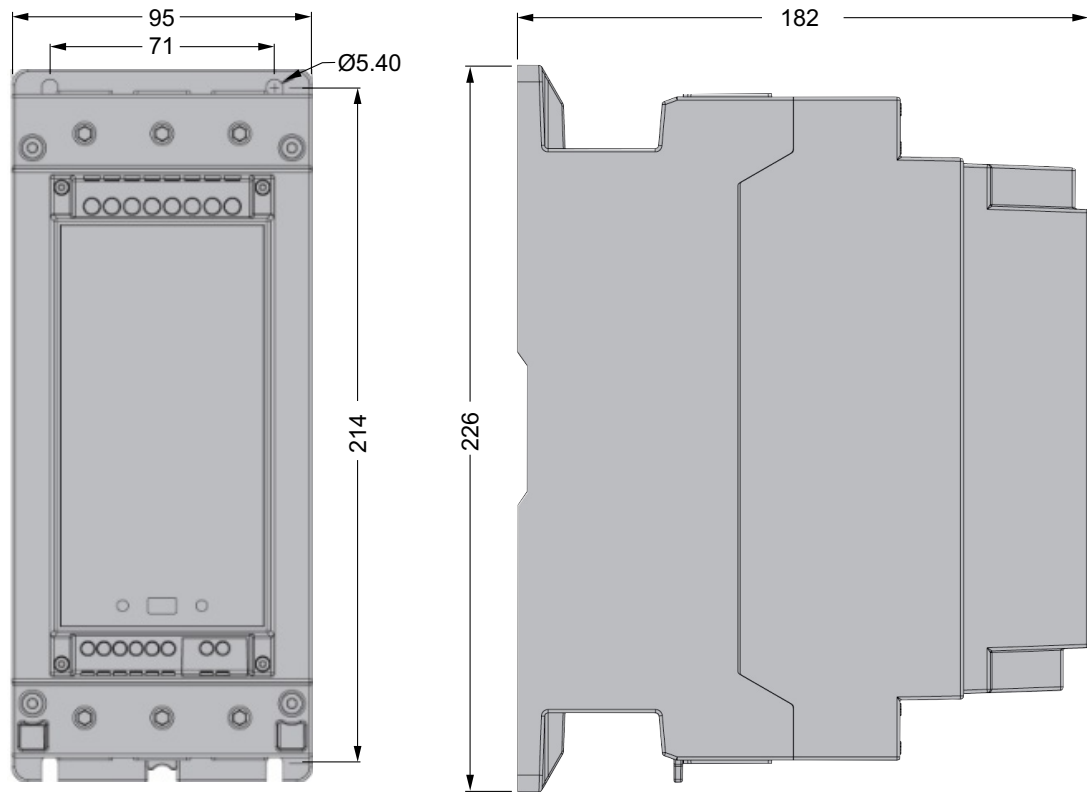
### Housing

Execution	Internal Panel Version
Material	Polycarbonate
Mounting	Screw fixing or DIN-rail with optional accessory
Degree of Protection	IP00
Dimensions (W x H x D)	95 mm x 226 mm x 182 mm
Weight	2840g

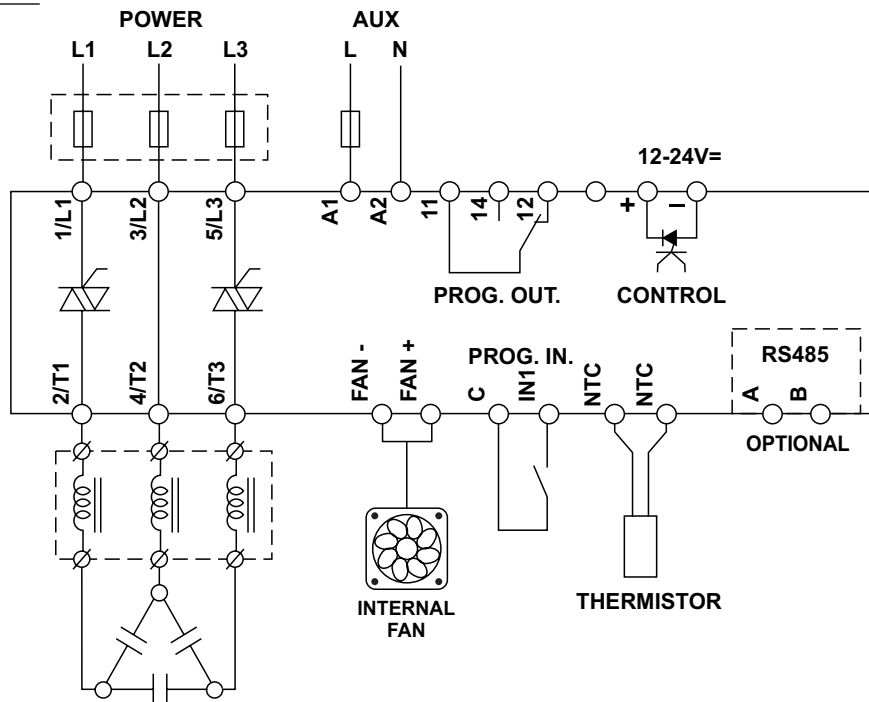
### LEDs

Status LEDs	3 (POWER-ON-FAULT)
-------------	--------------------

**Dimensions**



**Wiring Diagram**



Specifications and characteristics mentioned in this document are subject to change without notification. The information in this document is purely illustrative, and not contractually binding.

Sold & Serviced in India by :

**NAAC ENERGY CONTROLS PVT LIMITED**



C-135, Hos. Complex, Phase-II Extn., Noida-201305 (UP) INDIA  
 Tel.: 0120-4221631 to 33 Fax: 0120-4221635  
 Email : info@naacenergy.com  
 Web : www.naacenergy.com