



- Intelligent Power Factor Controller - Suitable for Power Factor Correction using Thyristor Modules for Real Time Compensation
- Independent Power Factor Correction for every single phase
- Dynamic (Fast) Power Factor Correction
- 8 Steps, expandable up to 24 steps
- Control and monitoring of Thyristor Module using the RS-485 port
- Control up to 32 steps using Modbus RS-485
- Compact design for convenient installation
- 8 User Programmable Alarms
- Expandability with expansion modules like USB, Ethernet, RS-485 and GSM/GPRS modem and more
- Graphic Display, 128x80 pixel
- Red LED for alarm notification
- Front optical port

Product Detail

Series	REALCOMP
Model	Realcomp Controller
Type	Automatic Power Factor Controller

Technical Specifications

Auxiliary supply

Rated Auxiliary supply voltage U_s	AC	min	100V AC
		max	415V AC
	DC	min	110V DC
		max	250V DC
Auxiliary operating range			90V...484V AC / 93.5V...300V DC
Auxiliary rated frequency			50/60 Hz $\pm 10\%$
Power consumption		max	27 VA (with 4 expansion modules)
Power dissipation		max	10.5 W (with 4 expansion modules)
			2.5 W (with no expansion modules)
Immunity time for microbreakings			≥ 35 ms (110V AC);
			≥ 80 ms (220V...415V AC)

Voltage inputs

Rated Voltage (U_e)	phase-phase	600V AC (rated max.)
Operating Voltage range	phase-phase	50V...720V AC
	phase-neutral	415V AC
Frequency range	min	45.....65 Hz
	max	360.....440 Hz

Technical Specifications

Type of Measure		True RMS value
No-voltage release		≥8 ms
Measurement input impedance	phase-phase	>1.10 MΩ
	phase-neutral	>0.55 MΩ
Type of connection		Single phase, two phase, three phase with or without neutral or balanced three phase system

Current Inputs

Number of Current input		3 Nr
Type of Input		Shunt supplied by external current transformer (low voltage), Max 5A
Measurement range		0.025...6A ~ for 5A scale; 0.025...1.2A ~ for 1A scale
Measurement method		True RMS value
Constant overload		1.2 Ie
Overload peak		50A for 1s
Burden per phase		<0.6 VA

Measurement Data

Type of voltage and current measurement		True RMS value
Power Factor adjustment		0.5 ind...0.5 cap.
Type of temperature sensor		Internal + PT100 with expansion module
Temperature measurement range		0...+212°C

Alarms

Number of Alarms		8
Type of Alarms		User programmable

Communication

Communication Port		RS-485 (with expansion module)
Communication Protocol		Modbus-RTU, ASCII and TCP

Relay outputs

Number of relay output		0 N° (up to 10 with expansion module)
------------------------	--	---------------------------------------

Static Outputs

Number of static output		8 (up to 24 with expansion module)
Rated Current		120 mA max. 40V DC / 30V AC

Insulations

Rated insulation voltage Ui		600 V
Rated impulse withstand voltage Uimp		9.5 kV
Operating frequency withstand voltage		5.2 kV

Technical Specifications

Connections

Type of Terminal		Plug-in, removable
Conductor Cross section	min	0.2 mm ²
	max	2.5 mm ²
	min	24 AWG
	max	12 AWG
Tightening torque	max	0.56 Nm 5 lbin

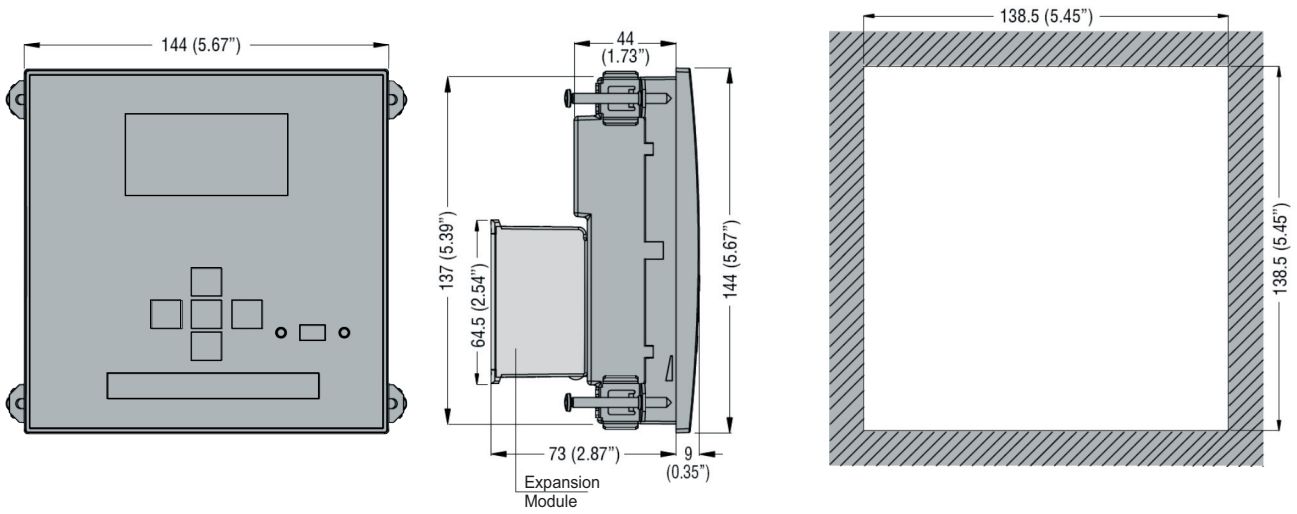
Ambient Temperature

Temperature Operating temperature	min	-20 °C
	max	+70 °C
Temperature Storage temperature	min	-30 °C
	max	+80 °C
Relative humidity		<80%
Maximum Pollution degree		2
Overvoltage category		3
Measurement category		III
Shock resistance		15g
Vibration resistance		0.7g

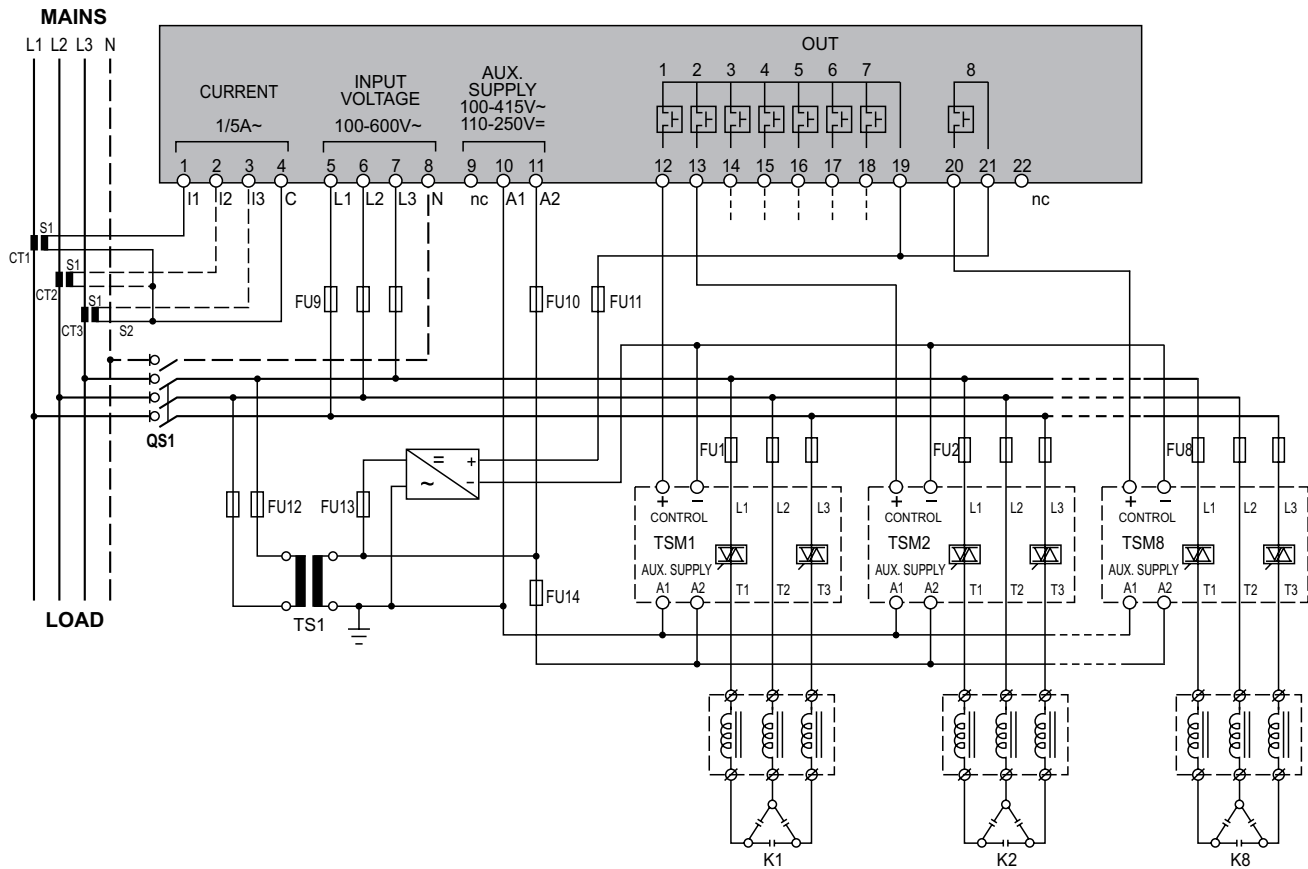
Housing

Execution	Flush mount
Material	Polycarbonate
Mounting	Flush-mount
	144x144mm (5.67" x 5.67")
Degree of Protection	IP65 on Front, IP20 terminals
Dimensions (W x H x D)	144mm x 144mm x 53.2mm
Weight	980 Gram
Expansion Slot	4

Dimensions



Wiring Diagram



Specifications and characteristics mentioned in this document are subject to change without notification. The information in this document is purely illustrative, and not contractually binding.

Sold & Serviced in India by :

NAAC ENERGY CONTROLS PVT LIMITED



C-135, Hos. Complex, Phase-II Extn., Noida-201305 (UP) INDIA
 Tel.: 0120-4221631 to 33 Fax: 0120-4221635
 Email : info@naacenergy.com
 Web : www.naacenergy.com